



ISO 9001 by L.R.  
PED DIR. 2014/68/UE by L.R.  
ATEX DIR. 2014/34/UE by B.V.  
FIRE SAFE EXECUTION BS6755/API 607 by L.R.  
FIRE SAFE TESTED ISO 10497 by L.R.  
ISO 15848 by TÜV  
ANTISTATIC DEVICE by L.R.  
EAC CERTIFICATION by B.V.

TYPE  
**FY1**  
PN 10 ÷ 40  
ANSI 150

NORME E DIRETTIVE APPLICATE DISPONIBILI AL SEGUENTE LINK:  
STANDARD AND DIRECTIVE APPLIED AVAILABLE AT FOLLOWING LINK:  
[http://www.adlerspa.com/pdf/NORME\\_ADLER.pdf](http://www.adlerspa.com/pdf/NORME_ADLER.pdf)

## **VALVOLE A SFERA "CORPO PIATTO" PASSAGGIO TOTALE CON CAMICIA DI RISCALDAMENTO**



ACTUATED  
BALL VALVES  
CERTIFIED  
SIL 3 Capable  
According to IEC 61508

FULL BORE ACCORDING  
TO ISO 14313

CONSTRUCTION ACCORDING TO:  
BS EN 12516-2 - ANSI B16.34  
ISO 14313

**BALL VALVES "WAFER TYPE" FULL BORE  
WITH HEATING JACKET**

**ROBINETS A BOISSEAU SPHERIQUE**

**"WAFER" PASSAGE INTEGRAL AVEC ENVELOPPE  
FLANSCHKUGELHÄHNE IN "KOMPAKTBAUWEISE"  
VOLLER DURCHGANG MIT HEIZMANTEL**

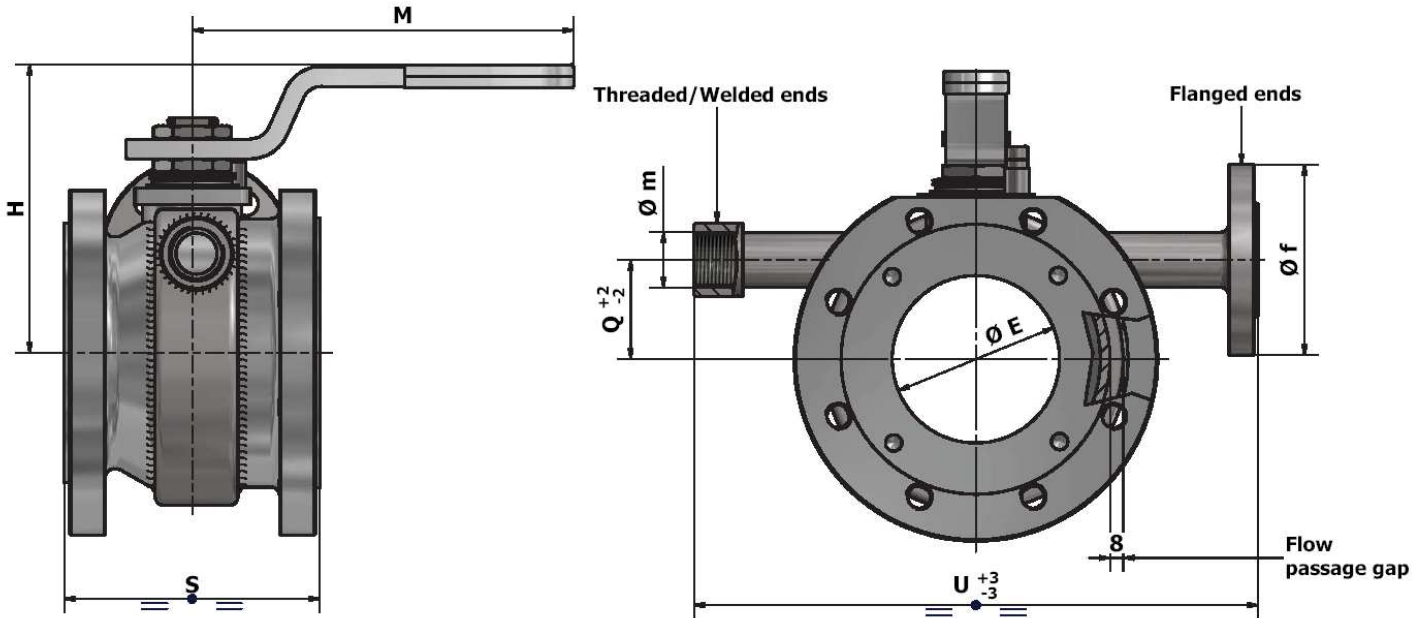
WEB SITE: [WWW.ADLERSPA.COM](http://WWW.ADLERSPA.COM)



ISO 9001 by L.R.  
 PED DIR. 2014/68/UE by L.R.  
 ATEX DIR. 2014/34/UE by B.V.  
 FIRE SAFE EXECUTION BS6755/API 607 by L.R.  
 FIRE SAFE TESTED ISO 10497 by L.R.  
 ISO 15848 by TÜV  
 ANTISTATIC DEVICE by L.R.  
 EAC CERTIFICATION by B.V.

TYPE  
**FY1**  
 PN 10 ÷ 40  
 ANSI 150

VALVOLA A SFERA "CORPO PIATTO" PASSAGGIO TOTALE CON CAMICIA DI RISCALDAMENTO  
 BALL VALVES "WAFFER TYPE" FULL BORE WITH HEATING JACKET  
 ROBINETS A BOISSEAU SPHERIQUE "WAFFER" PASSAGE INTEGRAL AVEC ENVELOPPE  
 FLANSCHKUGELHÄHNE IN "KOMPAKTBAUWEISE" VOLLER DURCHGANG MIT HEIZMANTEL



Valvola base FB1  
 Main Ball Valve FB1

Pressione massima di lavoro nelle camicie 10 bar  
 Maximum working pressure for jacket 10 bar

Materiale camicia Jacket material	CARBON STEEL (STANDARD) STAINLESS STEEL (OPTIONAL)
--------------------------------------	---

**VISUALIZZA 3D  
 VIEW 3D**

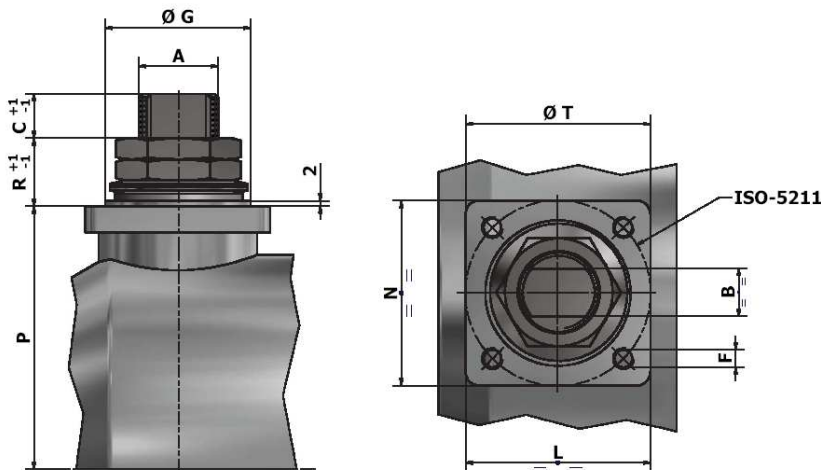
<https://adlerspa.com/prodotti/fy1>

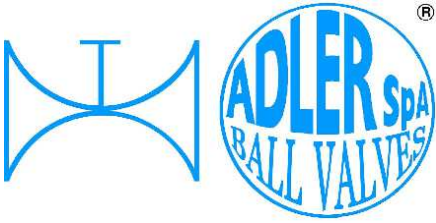
**FLANGE DIMENSIONS  
 according to  
 EN 1092-1 or ANSI B16.5**  
 see table

<https://adlerspa.com/wp-content/uploads/2023/11/Tabella-dimensioni-flange-valvole-Adler.pdf>

Per montaggio con guarnizioni  
 spirometalliche, contattare Adler Spa.  
 For assembling with spiral-wound  
 gaskets, contact Adler Spa

DN 65 PN 16 ESECUZIONE  
 STANDARD CON 4 FORI  
 SU RICHIESTA DISPONIBILE  
 CON 8 FORI  
 DN 65 PN 16 STANDARD  
 EXECUTION WITH 4 HOLES  
 ON REQUEST AVAILABLE WITH  
 8 HOLES





ISO 9001 by L.R.  
 PED DIR. 2014/68/UE by L.R.  
 ATEX DIR. 2014/34/UE by B.V.  
 FIRE SAFE EXECUTION BS6755/API 607 by L.R.  
 FIRE SAFE TESTED ISO 10497 by L.R.  
 ISO 15848 by TÜV  
 ANTISTATIC DEVICE by L.R.  
 EAC CERTIFICATION by B.V.

TYPE  
**FY1**  
 PN 10 ÷ 40  
 ANSI 150

N.	DESCRIZIONE DESCRIPTION BESCHREIBUNG	MATERIALI MATERIALS MATERIAUX WERKSTOFFE
1	CORPO BODY CORPS MITTE	ASTM A 351 CF8 ASTM A 351 CF8M
2	GHIERA INSERT EMBOUT GEWINDEDRUCKRING	ASTM A479 304/304L ASTM A479 316/316L
3*	O-RING	FKM - (VITON)
4*	ANELLO SEAL ANNEAU DICHTUNGSRING	P.T.F.E.
5*	SEDE SEAT SIEGE SITZRING	P.T.F.E. R.P.T.F.E. (OPTIONAL)
6	SFERA BALL BOULE KUGEL	ASTM A479 304/304L ASTM A351 CF8 ASTM A479 316/316L ASTM A351 CF8M
7	DISPOSITIVO ANTISTATICO ANTISTATIC DEVICE CONTACT ANTISTATIQUE ANTISTATIK VORRICHTUNG	ASTM A479 316/316L
8	STELO STEM TIGE SPINDEL	ASTM A479 304/304L ASTM A479 316/316L

N.	DESCRIZIONE DESCRIPTION BESCHREIBUNG	MATERIALI MATERIALS MATERIAUX WERKSTOFFE
9*	BUSSOLA STEM SEAL JOINT TIGE UNTERE SPINDELABDICHTUNG	P.T.F.E.
10*	PACCO A "V" CHEVRON RINGS JOINT A "V" 3 FACHE DACHMANSCHETTE	P.T.F.E. / GRAFITE P.T.F.E. / GRAPHITE P.T.F.E. / GRAPHITE P.T.F.E. / GRAPHIT
11	PREMIBUSSOLA PRESSING BUSH PRESSE RONDELLE STOPFBUCHSDRUCKRING	ASTM A479 304
12	MOLLE A TAZZA SPRING WASHERS RONDELLES BELLEVILLE TELLERFEDERN	C72/50Cr V <sub>4</sub> ZINCATO - GALVANIZED - ZINGUE - VERZINKT X10CrNi18.8 ON REQUEST
13	VITE DI FERMO E FERMO PIN AND STOP PIN PLONT ET PLOT D'ARRET ANSCHLAGBOLZEN	UNI3740 8.8 ZINCATO - GALVANIZED - ZINGUE - VERZINKT UNI 3951 A2-70 ON REQUEST
14	DADO - CONTRODADO NUT - LOCK NUT ECROU - CONTRE-ECROU MUTTER - KONTERMUTTER	AISI 1010 ZINCATO - GALVANIZED - ZINGUE - VERZINKT ASTM A479 304 ON REQUEST
15	LEVA WRENCH LEVIER HANDHEBEL	AISI 1010 CHROMED FOR S.S. VALVES PAINTED FOR C.S. VALVES ASTM A479 304 ON REQUEST
16		

\* RICAMBI CONSIGLIATI - RECOMMENDED SPARE PARTS - PIECES DE RECHANGE CONSEILLEES - ERSATZTEIL EMPFEHLUNG

ON REQUEST P.T.F.E. AVAILABLE CERTIFIED BAM, FDA, MOCA

## DIMENSIONI - DIMENSION - DIMENSIONS - ABMESSUNGEN

DN	15	20	25	32	40	50	65	80	100	125	150	200	250	300
A								22	30	30				
B								14	18	18				
C								12	17	17				
E								76	101	118				
F								M8	M8	M10				
f								DN 15 PN 16		D N25 PN 16				
ISO								F07	F07	F10				
G								55	55	70				
H								152	174	188				
L								68	70	97				
M								370	470	650				
m								Ø1/2" GAS		Ø1" GAS				
N								70	70	97				
P								90,5	99,5	113				
Q								50	70	80				
R								24	27	27				
S								120	153.5	182				
T								70	70	102				
U								300	340	360				
Kg								17,5	23,5	34,5				

TYPE  
**FX1**  
 VEDERE  
 SEE  
 VOIR  
 SIEHE  
 DN 15 ÷ 50  
 PN 10 ÷ 40  
 ANSI 150

TYPE  
**FY2**  
 VEDERE  
 SEE  
 VOIR  
 SIEHE  
 DN 150 ÷ 200  
 PN 10 ÷ 40  
 ANSI 150

OPTIONAL TYPE  
**FX2**  
 VEDERE  
 SEE  
 VOIR  
 SIEHE  
 DN 15 ÷ 250  
 PN 10 ÷ 40  
 ANSI 150

- DATI E CARATTERISTICHE SOGGETTI A VARIAZIONI SENZA PREAVVISO
- SPECIFICATIONS SUBJECT TO MODIFICATIONS WITHOUT PRIOR NOTICE
- TOUS DROITS DE MODIFICATION RESERVES
- KONSTRUKTIONSÄNDERUNGEN VORBEHALTEN



ADLER SpA - BALL VALVES  
 20010 S. STEFANO TICINO (MI) ITALY V.le BORLETTI, 14 Tel. +39/02974842.11 FAX +39/0297271698  
 E-mail: [adler@adlerspa.com](mailto:adler@adlerspa.com) <http://www.adlerspa.com>



ISO 9001 by L.R.  
 PED DIR. 2014/68/UE by L.R.  
 ATEX DIR. 2014/34/UE by B.V.  
 FIRE SAFE EXECUTION BS6755/API 607 by L.R.  
 FIRE SAFE TESTED ISO 10497 by L.R.  
 ISO 15848 by TÜV  
 ANTISTATIC DEVICE by L.R.  
 EAC CERTIFICATION by B.V.

TYPE  
**FY1**  
 PN 10 ÷ 40  
 ANSI 150

• ESECUZIONI • EXECUTIONS • EXECUTIONS • AUSFÜHRUNGEN



EXECUTION 4- 12

ONLY FOR VALVES  $\geq$  DN 50 **S**

FORO DI BILANCIAMENTO  
 BALANCING HOLE  
 TROU DE BALANCEMENT  
 DRUCKENTLASTUNGSBOHRUNG

ON REQUEST AVAILABLE ON DN  $\leq$  40



EXECUTION 6 - 16

**S** STANDARD

**O** OPTIONAL

**1** **S**

-MONTAGGIO VITI – SCREW ASSEMBLING  
 -MONTAGE VIS – EINBAU MIT SCHRAUBEN

TESTING BENCH

S.I.L. 3 CERTIFICATION

**4** **S**

-STELO ANTI ESPULSIONE -ANTI BLOW OUT STEM  
 -TIGE ANTIEXPULSION -AUSBLASGESICHERETE WELLE

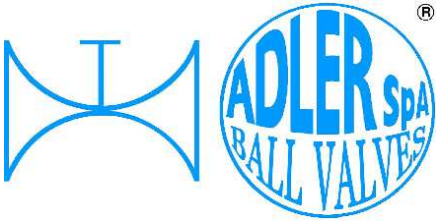
-PACCO A "V" -CHEVRON RINGS  
 -JOINT A "V" -3 FACHE DACHMANSCHETE  
 ANTISTATIC DEVICE ANTISTATIK VORRICHTUNG  
 BS 5146

ISO 15848 CERTIFICATION

**6** **O**

BREVETTO - PATENTED  
 00219688 - 21-04-1993  
 FKM (VITON)

-“O” RING STELO “O” RING ON STEM  
 -TIGE AVEC “O” RING  
 -“O” RING IM SPINDELBEREICH



ISO 9001 by L.R.  
 PED DIR. 2014/68/UE by L.R.  
 ATEX DIR. 2014/34/UE by B.V.  
 FIRE SAFE EXECUTION BS6755/API 607 by L.R.  
 FIRE SAFE TESTED ISO 10497 by L.R.  
 ISO 15848 by TÜV  
 ANTISTATIC DEVICE by L.R.  
 EAC CERTIFICATION by B.V.

TYPE  
**FY1**  
 PN 10 ÷ 40  
 ANSI 150

**7** **O**

-PROLUNGA STELO -STEM EXTENSION  
 -TIGE PROLONGEE -SPINDELVERLÄNGERUNG

**8** **O**

-PARTICOLARI INOX  
 -STAINLESS STEEL DETAILS  
 -ACCESSOIRES EN INOX  
 -EDELSTAHLTEILE

**9** **S**

-ATTACCO "ISO" -"ISO" CONNECTIONS  
 -SYSTEM "ISO" -ANSCHLUSS "ISO"

**10** **S**

-SFERA CONTENUTA -CONTENTS BALL  
 -BOULE CONTENUE  
 -NICHT RAUSRAGENDE KUGEL

**11** **O**

-TENUTE INTEGRALE -POCKETLESS SEATS  
 -TENUE INTEGRALE -TOTRAUMARM  
 -P.T.F.E. / R.T.F.E.

**12** **O**

FIRE SAFE  
 ISO 10497 "ISO-FT"  
 (BS 6755 / API 607)

**13** **S**

-DOPPIA TENUTA -DOUBLE SEALS  
 -DOUBLE ETANCHEITE -DOPPELTE ABDICHTUNG  
 -GHIERA A BATTUTA -METAL BEATING RING  
 -EMBOUT AVEC BATTUE MECANIQUE  
 -METALLISCHER ANSCHLAG DES  
 GEWINDEDRUCKRINGS

**14** **O**

VEDERE / SEE ANSI B16.34

FLUSSO  
 FLOW

-FORO DI SCARICO NELLA SFERA  
 -OVERPRESSURE HOLE INTO BALL  
 -TROU DECOMPRESSION DANS LA BOULE  
 -ENTLASTUNGSBOHRUNG IN DER KUGEL  
 VALVOLA MONO DIREZIONALE  
 MONO-DIRECTIONAL VALVE

**PAINING**

**16** **O**

-FIRE SAFE ISO FT+ "O" RING STELO  
 -FIRE SAFE ISO FT+ "O" RING ON STEM  
 -SECURITE FEU ISO FT+ TIGE AVEC "O" RING  
 -FEUERSICHERE AUSFÜHRUNG ISO FT+  
 "O" RING IM SPINDELBEREICH

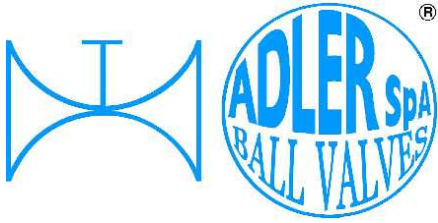
**ADLER**

UNA GAMMA COMPLETA  
 PRIVILEGIANDO LA QUALITA'

A COMPLETE RANGE PRIVILEGING  
 THE QUALITY

**18** **O**

-SFERA CIECA PER CAMPIONATURA  
 -BLIND BALL FOR SAMPLING  
 -PRISE-ECHANTILLON  
 KUGEL FÜR PROBEHAHME



ISO 9001 by L.R.  
 PED DIR. 2014/68/UE by L.R.  
 ATEX DIR. 2014/34/UE by B.V.  
 FIRE SAFE EXECUTION BS6755/API 607 by L.R.  
 FIRE SAFE TESTED ISO 10497 by L.R.  
 ISO 15848 by TÜV  
 ANTISTATIC DEVICE by L.R.  
 EAC CERTIFICATION by B.V.

TYPE  
**FY1**  
 PN 10 ÷ 40  
 ANSI 150

VITI D'ASSEMBLAGGIO PER FY1 - ASSEMBLING SCREWS FOR FY1 - VIS D'ASSEMBLAGE POUR FY1- MONTAGESCHRAUBEN FÜR FY1

N° VITI – DIMENSIONE • N° SCREW – DIMENSIONS • N° VIS- DIMENSIONS • N° SCHRAUBEN-ABMESSUNGEN

### EUROPEAN NORM

DN PN	10-15	20	25	32	40	50	65	80	100	125	150				
10								* 16	M16 X40	16	M16 X40	16	M16 X45		
16								16	M16 X40	16	M16 X40	16	M16 X45		
25								16	M16 X45	16	M20 X50	16	M24 X55		
40								16	M16 X45	16	M20 X50	16	M24 X55		

### ANSI METRIC

(STANDARD ADLER)

Ø Rating	1/2"	3/4"	1"	1 1/4"	1 1/2"	2"	2 1/2"	3"	4"	5"	6"				
150								8	M16 X45	16	M16 X45	16	M20 X50		

### ANSI B1.1 UNC

(ON REQUEST)

Ø Rating	1/2"	3/4"	1"	1 1/4"	1 1/2"	2"	2 1/2"	3"	4"	5"	6"				
150								8	5/8 X 1 3/4	16	5/8 X 1 3/4	16	3/4 X 2		

Length of screws calculated considering a gasket with thickness of 2mm.

