

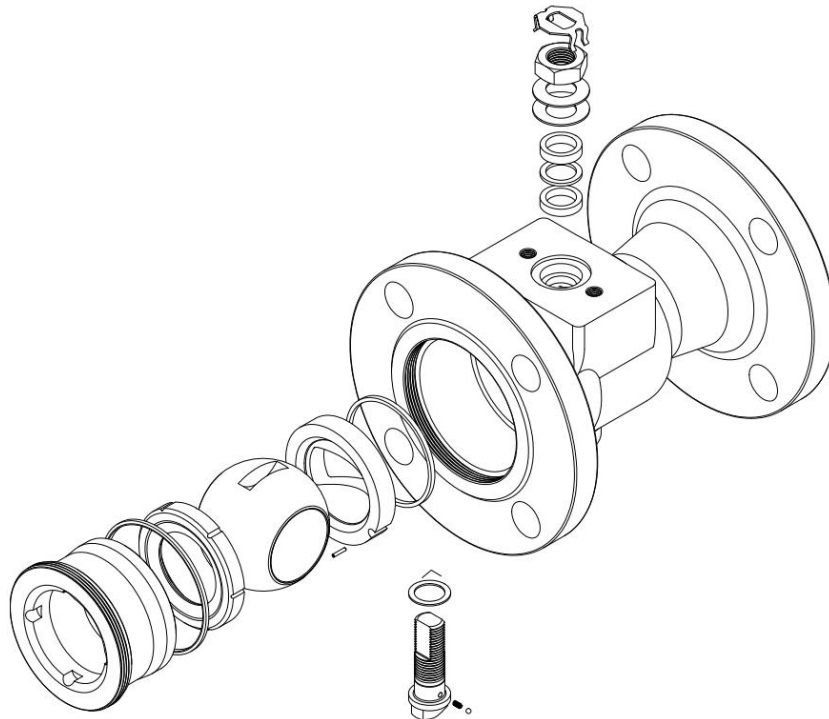
**Worcester V-Flow 51 / 52 Series**

Class 150 / 300 reduced bore ball valves

WCENIM0026-01

**Original Instructions**

**Installation  
Operation  
Maintenance**

**Copyright**

All rights reserved. No part of these instructions may be reproduced, stored in a retrieval system or transmitted in any form or by any means without prior permission of Flowserve Flow Control.

**Document Version**

Initial Release, 01-APR-2018

**⚠** *These instructions must be read prior to installing, operating, and maintaining this equipment.*

## CONTENTS


<b>1</b>	<b>General Information</b> .....	<b>2</b>
1.1	Scope of manual.....	2
1.2	Disclaimer.....	2
<b>2</b>	<b>Health and Safety</b> .....	<b>3</b>
<b>3</b>	<b>Product Information</b> .....	<b>4</b>
3.1	Certification.....	4
3.2	Design.....	5
<b>4</b>	<b>Storage</b> .....	<b>5</b>
<b>5</b>	<b>Installation</b> .....	<b>6</b>
5.1	Preparation.....	6
5.2	Installation.....	6
<b>6</b>	<b>Operation</b> .....	<b>7</b>
6.1	Use.....	7
6.2	Manual operation.....	7
6.3	Remote operation.....	7
<b>7</b>	<b>Maintenance</b> .....	<b>8</b>
7.1	General.....	8
7.2	In-line leakage.....	8
7.3	Stem leakage.....	8
7.4	Body/Insert/Connector leakage.....	8
<b>8</b>	<b>Repair Kits</b> .....	<b>8</b>
<b>9</b>	<b>Refurbishment</b> .....	<b>9</b>
9.1	Disassembly.....	9
9.2	Reassembly.....	10
<b>10</b>	<b>Technical Data</b> .....	<b>12</b>
10.1	Gland nut torque.....	12
10.2	Stem assembly torque.....	12
10.3	Insert torque.....	12
10.4	Interface torque.....	12
10.5	Torque data.....	12
<b>11</b>	<b>Valve Exploded View Diagram</b> .....	<b>13</b>
11.1	DN15 – DN50 Valves.....	13
11.2	DN80 – DN200 Valves.....	14



***These instructions must be read prior to installing, operating, and maintaining this equipment.***

## 1 General Information

 ***These instructions must be read prior to installing, operating, and maintaining this equipment.***

 ***These instructions must be read prior to installing, operating, using, or maintaining the equipment in any region worldwide. The equipment must not be put into service until all of the safe operating conditions noted in the instructions have been met. Failure to comply with the information provided in the User Instructions is considered to be misuse. Personal injury, product damage, delay in operation, or product failure caused by misuse are not covered by the Flowserve warranty.***

### 1.1 Scope of manual

These instructions must be kept close to the product's operating location or directly with the product.

These instructions must be read prior to installing, operating, using, or maintaining the equipment in any region worldwide. The equipment must not be put into service until all of the safe operating conditions noted in the instructions have been met. Failure to comply with the information provided in the User Instructions is considered to be misuse. Personal injury, product damage, delay in operation, or product failure caused by misuse are not covered by the Flowserve warranty.

This document covers the Worcester V-Flow 51 / 52 series:

Pressure rating – Class 150 / 300

Size range – DN 15 – 200, NPS ½ - 8

### 1.2 Disclaimer

Information in this User Instruction is believed to be complete and reliable. In spite of all Flowserve's efforts to provide comprehensive information and instructions, sound engineering and safety practices should always be used. Please consult with a qualified engineer.

Flowserve manufactures products to applicable International Quality Management System Standards as certified and audited by external Quality Assurance organizations. Genuine parts and accessories have been designed, tested, and incorporated into the products to help ensure continued product quality and performance in use. As Flowserve cannot test parts and accessories sourced from other vendors the incorrect incorporation of such parts and accessories may adversely affect the performance and safety features of the product. The failure to properly select, install, or use authorized Flowserve parts and accessories is considered to be misuse. Damage or failure caused by misuse is not covered by Flowserve's warranty. In addition, any modification of Flowserve products or removal of original components may impair the safety of these products in use.

## 2 Health and Safety

The product/system must not be operated beyond the parameters specified for the application. If there is any doubt as to the suitability of the product/system for the application intended, contact Flowserve for advice, quoting the serial number.

When installing, operating or maintaining valves:

- a) Complete a risk assessment and eliminate or reduce hazards to an acceptable level.
- b) Work in accordance with safe systems of work.
- c) Observe all site health and safety rules.
- d) Wear all the necessary personal protective equipment (PPE).
- e) Never remove or maintain a valve or joint unless the line has been fully de-pressurised, drained, and where necessary, purged of toxic / explosive / flammable media. Always operate the valve to the open position to ensure that no trapped pressure exists within the cavity.
- f) Never handle valves that have been used on harmful substances unless they have been completely decontaminated and certified safe to handle.
- g) Never use a valve on an application which exceeds its prescribed operating parameters. Refer to Flowserve Flow Control technical sales for performance curves for further information.
- h) Never modify or alter valves unless the manufacturer has been consulted or recommends such changes.
- i) Wrenches are only designed to operate the valves and must not be used to carry them as it may result in operator injury or damage to the valve stem and sealing.
- j) Use appropriate lifting methods and equipment when installing, maintaining and removing the product. Ensure that the valve is correctly supported in its operating location.
- k) The valve must be installed in a system design to prevent excessive forces on the flanges and connectors.
- l) Consult Flowserve Flow Control technical sales before equipment is installed in areas subject to seismic activity or extreme climates.
- m) The valve should be protected by other devices to prevent over-pressurisation, e.g. increased pressure caused by external fire.
- n) It is the end user's responsibility to ensure compatibility of the media with the materials of construction of the product. The integrity of the valve may be affected by the effects of corrosion and erosion.
- o) If the processes or environments that the valve is used in are likely to cause temperatures (high or low) that may cause injury to personnel if touched, adequate protection must be fitted on the valve.
- p) If the valve is to be used for unstable gas applications, ensure that the operational parameters as indicated on the product identification plate cannot be exceeded.

### 3 Product Information

#### 3.1 Certification

This product is compliant with the following EU regulations:

- a) Pressure Equipment Directive (PED) 2014/68/EU: If the ID plate carries the CE mark, PED number '2014/68/EU', and the notified body identity number '0086', the product complies with the PED. If these numbers are not present, the product is classified under Sound Engineering Practice (SEP) and may only be used within the limitations defined in tables 6, 7, 8 and 9 of the PED.
- b) Explosive Atmospheres (ATEX) 2014/34/EU: If the ID plate carries the CE mark, ATEX number '2014/34/EU', the explosion protection symbol, and ATEX codes identifying the equipment, the product complies with the ATEX directive.

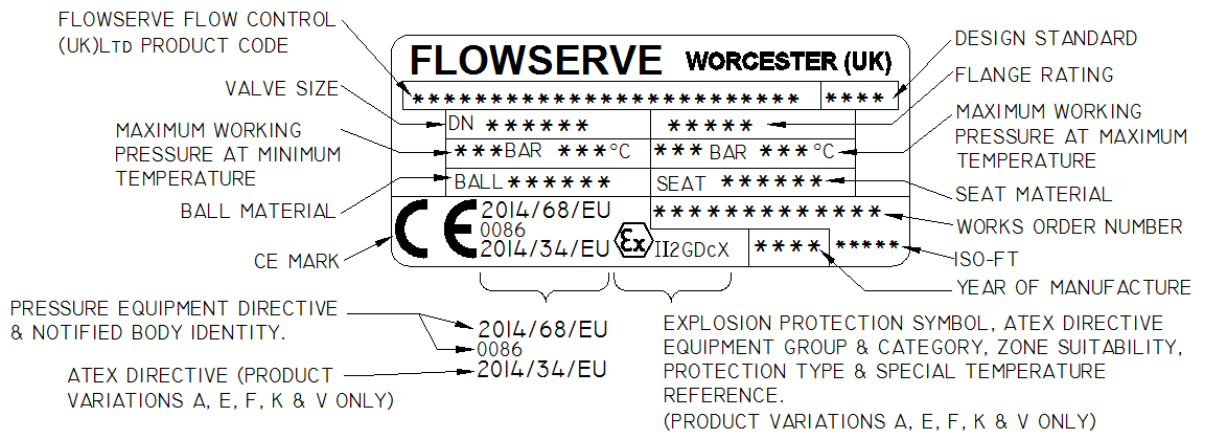


Figure 1 Valve ID plate markings

Table 1 ATEX marking definitions

II	Equipment group
2	Equipment category
G	Gas zone suitability (zones 1 & 2)
D	Dust zone suitability (zones 1 & 2)
c	Type of protection (constructional safety) (as per BS EN ISO 80079-37)
X	Special temperature reference. Surface temperature: As per BS EN ISO 80079-36, the temperature class or maximum surface temperature cannot be marked on the product as it is dependent on the operating conditions. However, the maximum/minimum allowable operating temperatures for the product are marked on the identification plate.

### 3.2 Design

- a) End flanges: The end flange design of this product has been verified by either 2017 ASME BPVC Section VIII Division 1 – Calculation Method, by finite element analysis in accordance with 2017 BPVC Section VIII Division 2 – Alternative Rules, or by experimental testing as defined in BS EN 12516-3 – Experimental Method.
- b) Bolting: End flanges have been verified by the methods stated above, using bolt design stress values based on those for ASTM A193 B8 Class 2 for stainless steel valves and ASTM A320 L7 for carbon steel valves as defined in ASME BPVC Section II Part D.
- c) Gaskets: Spiral wound gaskets in accordance with BS EN 1514 for PN rated flanges and ASME B16.20 for Class rated flanges. These have gasket factors and design stresses of 2.50 and 69 MPa respectively for carbon steel gaskets, and 3.00 and 69 MPa respectively for stainless steel gaskets as defined in 2017 ASME BPVC Section VIII Division 1. If gaskets with higher gasket factors and design stresses are used, please consult Flowserve Flow Control technical sales.
- d) Lethal Service: In accordance with ASME BPVC Section VIII Division 1, a casting quality factor of 1.0 is allowable for all products. Those intended for 'lethal service' must have had non-destructive examination carried out in accordance with Appendix 7 of ASME BPVC Section VIII Division 1. Refer to Flowserve Flow Control technical sales for more information.

## 4 Storage

- a) All valves are despatched in the open position and it is recommended that they are left in this position during storage.
- b) All protective packaging should remain in this position until the valve is to be installed.
- c) Valves should be stored in a clean, dry environment.
- d) Carbon steel valves are phosphate and coated with a de-watering oil. This coating is non-toxic and is quite safe on edible or potable products.

## 5 Installation

### 5.1 Preparation

- a) The working area should be clean and clear of any debris that would contaminate the valve.
- b) When despatched, V-flow control valves contain special lubricants which aids the bedding in of the valve. This will ensure long life on control valves with metal seats.
- c) Some valves contain a silica gel pack inside the ball cavity to absorb humidity during storage. These must be removed before installation along with all other protective packaging.
- d) The gland nut locking clip must be retained at all times. During installation, if the locking clip is not in place, the gland nut must be adjusted to the correct torque and a new locking clip must be fitted.
- e) Significant problems can arise with any valve installed in an unclean pipeline. Ensure that the pipeline has been flushed clean of dirt, weld spatter etc. before installation.
- f) Graphite seals should be handled with care due to their delicate nature.
- g) If transit seals are fitted inside the valve, these must be discarded and replaced with the spare body seals supplied.

### 5.2 Installation

- a) Standard valves are bi-directional and may be installed in either direction. Valves with an upstream pressure relief hole (Q190 ball) are uni-directional and must be fitted with the flow arrow pointing downstream.
- b) It is recommended that the valves are in the open position during fitting.
- c) Installation of flanged valves should follow site standards. If these standards do not exist, the following should be used as a guideline:
  - Flanged joints require compressive loading on the gasket material in order to contain the line pressure that acts to separate the joint.
  - Pipework should have the correct gap to allow for the valve face-to-face length and gasket material thickness.
  - Ensure the pipeline and flange faces are clean and free of any debris which may affect flange sealing.
  - Bolting should be of the correct size, length and material for the application.
  - Locate the valve between the pipe ends and slide in the gaskets. Care should be taken to prevent damage to the sealing surfaces.
  - Assemble all bolts and loosely tighten. Gradually tighten bolts opposite to each other to the correct torque required for the specific gasket material.

## 6 Operation



***The product/system must not be operated beyond the parameters specified for the application. If there is any doubt as to the suitability of the product/system for the application intended, contact Flowserve for advice, quoting the serial number.***

### 6.1 Use

Metal seats fitted downstream provide shut off to FCI 70-2 1998, Class VI.

It is not good practice to leave a soft-seated ball valve in the partially open position as this will damage the seats and reduce valve life. Flow control ball valves, which contain seats for this purpose, are available from Flowserve Flow Control.

Media which may solidify, crystallise, or polymerise, should not be allowed to stand in the ball cavity, as this is detrimental to valve performance and life.

### 6.2 Manual operation

- a) The basic type of wrench on DN 15 – 50 (NPS ½ - 2) valves is made of sheet steel with an integral stop. Larger sizes of valves have a cast wrench head and a tubular handle secured to the stem by a wrench bolt.
- b) Worcester valves have a quarter turn operation, closing in a clockwise direction. It is possible to see when the valve is open or closed by the position of the wrench. When the wrench is in line with the pipeline, the valve is open. When the wrench is across the pipeline, the valve is closed. If the wrench is removed, the flats of the stem will also indicate valve position.
- c) When operating the valve, avoid excessive loads on the wrench.

### 6.3 Remote operation

- a) Where automation of valves is required, Flowserve Flow Control can supply pneumatic and electric actuators to cover a wide range of operating torques.
- b) Operation will be in accordance with installation, operation, and maintenance instructions for the relevant actuator.



## 7 Maintenance

### 7.1 General

Worcester valves are trouble free and maintenance is rarely needed. The following checks will help extend life further and reduce downtime:

- a) Every 25 000 cycles or three months, check for signs of leakage (section 7.2, 7.3, 7.4) and that all fasteners (including gland nut) are tightened to their correct torque value (see section 0)
- b) The valve should not be left standing without operation for more than one month. After this period, the valve should be operated through three full cycles.
- c) The valve should not be left in a partially opened position as this may cause damage to the seat and reduce its life.

### 7.2 In-line leakage

Any leakage when the valve is fully closed will be due to damage to the body, connector, seat or ball sealing surfaces. It will be necessary to disassemble and repair the valve (see section 9).

### 7.3 Stem leakage

Remove the wrench (see section 9) or the actuator (see appropriate IOM), followed by the gland nut locking clip, and tighten the gland nut to the correct torque (see section 10.1). If leakage persists, it may be necessary to replace gland packings and thrust seals (see section 9).

### 7.4 Body/Insert/Connector leakage

Insert: Remove the valve from line. Then remove the insert to assess whether the body and insert seal faces have been damaged. Replace the body seal, and tighten the insert to the correct torque (see section **Fehler! Verweisquelle konnte nicht gefunden werden.**).

Connector: Ensure that the bolting between the two halves of the body is tightened to the correct torque (see section 10.4). If leakage persists, remove the valve from line and replace the body seal and also establish whether the seal faces of the body and connector have been damaged.

## 8 Repair Kits

- a) Repair kits are available for all Worcester valves. Control valves have special features over standard valves and as such, repair kits for standard valves must not be used. Details of their contents are found in the instruction sheet supplied with the kit.
- b) If other parts are required, it is usually recommended that the complete valve is replaced. Parts from different sized/rated valves must not be interchanged.

- c) Only Worcester authorised spare parts should be used. This includes basic components such as fasteners. Flowserve Flow Control accepts no responsibility if the valve is altered in any way without consent.

## 9 Refurbishment

Refer to the health and safety (see section 2) before starting any refurbishment work. Never remove or perform maintenance on a valve or flange joint unless the line has been fully depressurised, drained and where necessary, purged of toxic, explosive, or flammable media.

DN 15 to 50 control valves are fitted with a matched ball and stem to reduce hysteresis. If either the ball or stem needs replacing, then both items must be replaced with another matched pair.

V-flow characterised seats, i.e. 30°V, 60°V etc. must be correctly oriented for proper function. A location pin on the body and a groove in the seat ensures proper alignment. On sizes DN 80 and DN 100 post-1996, the seats have a male pip on the outside diameter that locates in a groove on the body. Ensure that the replacement seats are of the same design as the originals.

Only valve sizes up to and including DN 100 can be fitted with characterised metal seats. Above this size, only round port metal seats are available.

All of the following rebuilding instructions refer to valves with metal seats fitted on one end. If the valve is fitted with metal or Fluorofill seats in both ends, then the procedure for pre-compression of seat seals is not required and should be ignored.

### 9.1 Disassembly

- a) Remove the valve from the pipeline, ensuring that it is correctly supported.
- b) Securely clamp the valve and place it in the open position.
- c) Remove the insert using the appropriate four-pin drive adaptor. It may be necessary to use a heavy mallet on the tommy bar of the insert tool to break the metal-to-metal seal. For DN 80 valves and above, it is recommended to use a suitable hydraulic torque drive.
- d) Lift the insert squarely out of the body to prevent damage to the sealing face.
- e) Remove and discard the first seat and body seal.
- f) Close the valve and using a soft drift, tap out the ball.
- g) Using a suitable hook, pull out the second seat being careful not to damage the seat sealing face of the valve body.
- h) To dismantle the stem assembly, remove:
  - Wrench assembly (if fitted)
  - Gland nut locking clip
  - Gland nut
  - Belleville washers
  - Gland
- i) Remove the stem through the body. For DN 15 valves, remove the gland packing and align the stem wrench flats across the valves to facilitate stem removal. The gland packing and thrust seal can now be removed, taking care not to damage the sealing faces.
- j) All components not replaced by parts in the repair kit should be thoroughly cleaned and stored in a clean, secure area.

- k) All sealing faces on the body, connector and ball must be checked for corrosion, erosion and scratches. If damage is found or there is any reason to believe that a part is damaged, replace the part.
- l) Valve parts should be cleaned using a suitable degreasing agent. Hard deposits can be removed using stainless steel wire wool. Care should be taken to avoid damaging sealing faces.

## 9.2 Reassembly

- a) Ensure that the repair kit and/or spare parts are suitable for the valve being refurbished.
- b) Cleanliness is essential for long valve life. The seats may be lightly lubricated with a light oil to aid bedding in. Ensure that the lubricant is compatible with the pipeline media, and the pressure and temperature of the application.
- c) Fit a new thrust seal on the stem (see section 11) and insert the stem through the valve body from inside the valve cavity. Tweezers may make it easier to do so on DN 15 valves.
- d) Fit the new gland packings into the body recess and the gland and the new Belleville washers (with their outer edges touching) on the stem.
- e) While preventing the stem from turning, tighten the gland nut to the correct torque (see section 10.1). Operate the stem several times and re-adjust the gland nut to the specified figure. Over-tightening of the gland nut will reduce the life of the stem assembly.
- f) Fit the locking clip correctly as shown in Figure 2.

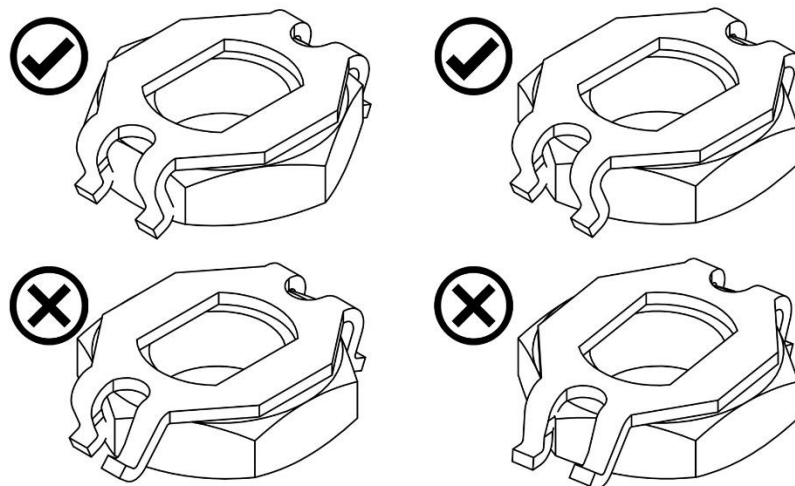


Figure 2 Fitting the locking clip

- g) Fit the wrench assembly (if required).
- h) Fit the graphite or PTFE seal into the recess in the back face of the metal seal. Apply Bentone Grease No. 1 to both sides of the seat and the exposed back face of the seal. Fit the metal seat into the valve body. If the seat is characterised, (i.e. 30°V), ensure that the slot in the outside diameter locates onto the orientation pin in the body.
- i) Apply Dow Corning DC200 to the metal seated side of the ball only and assemble into the valve body.

- j) Fit the original or spare metal seat ring complete with compressed PTFE/graphite seal in the other end. Replace the insert, and with the ball in the open position fully tighten to the correct torque (see section 11).
- k) Remove the insert and the spare seat ring.
- l) Fit the new Fluorofill seat ring and the new body seal. Replace the insert and tighten to the correct torque (see section 11).
- m) On stainless steel valves, it is important to use an anti-scuffing compound such as Rocol Copperslip on the insert threads. It is advisable, though not mandatory to use it on carbon steel valves.
- n) If practical, leak tightness and operating torque should be checked prior to refitting the valve in line.

## 10 Technical Data

### 10.1 Gland nut torque

The torque to be applied to the gland nut to ensure the correct amount of stem sealing.

### 10.2 Stem assembly torque

The torque required to operate the assembled stem before the ball and seats are fitted to the valve.

### 10.3 Insert torque

The torque required to fully tighten the insert of one piece valves to achieve metal to metal contact

### 10.4 Interface torque

The torque required to fully tighten the bolts that retain both parts of the body to achieve metal to metal contact.

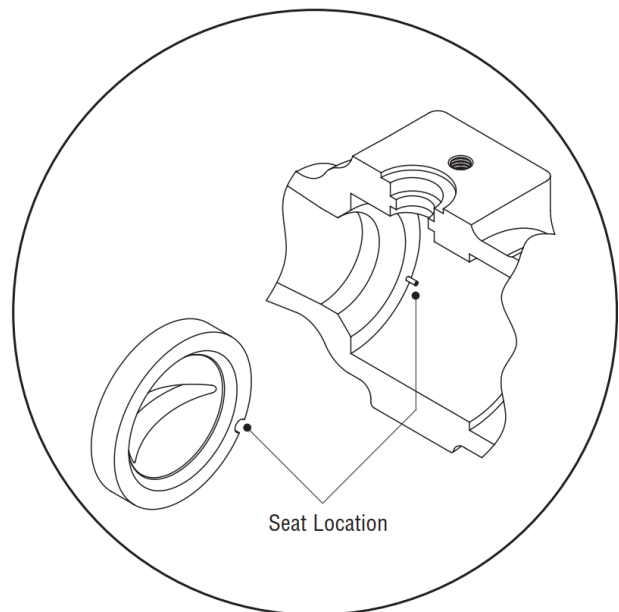
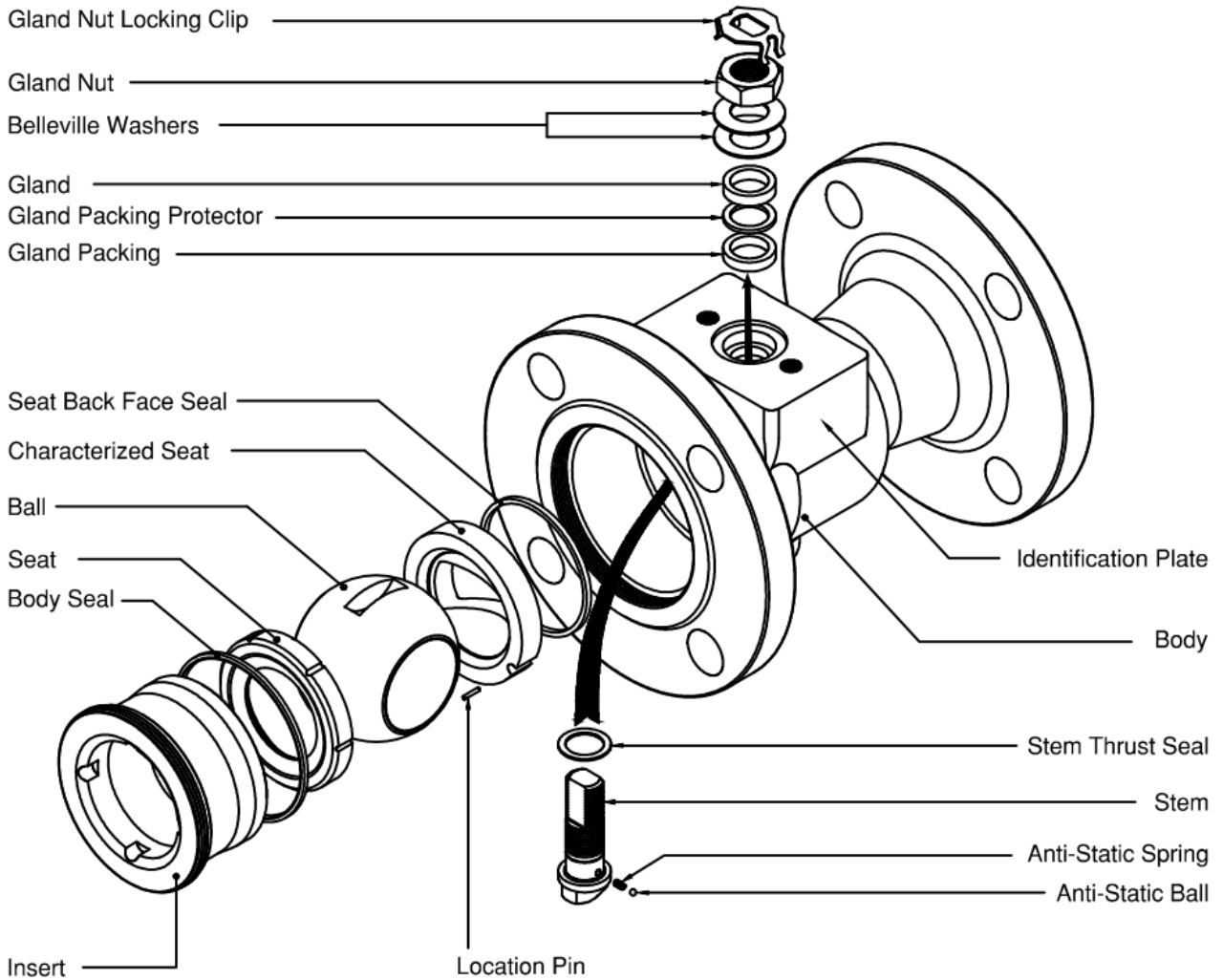
### 10.5 Torque data

Table 2 Torque Data

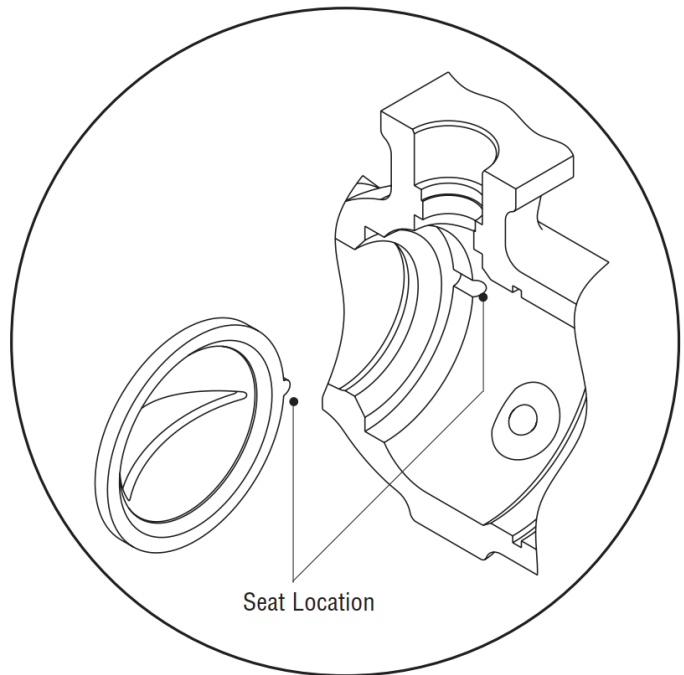
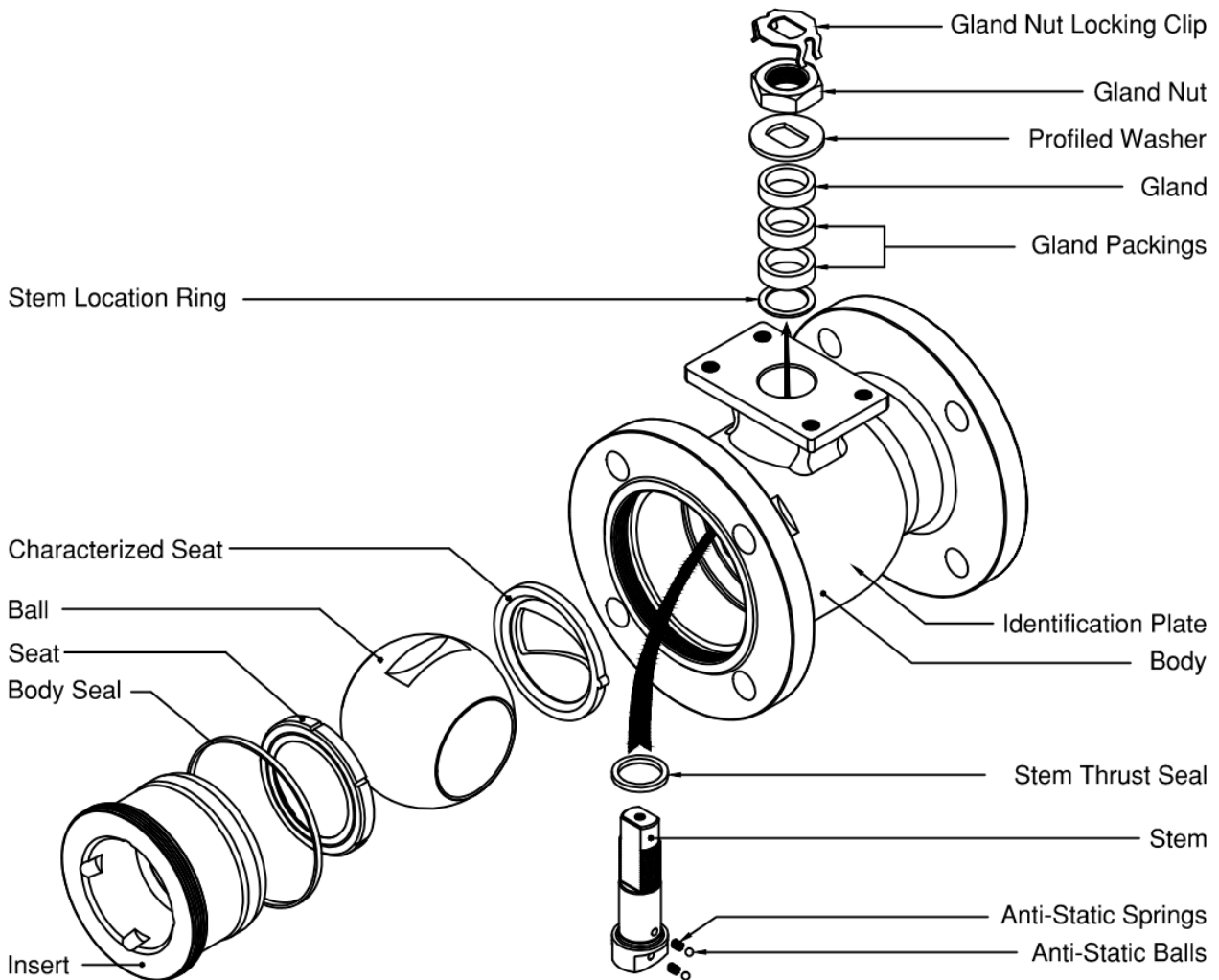
Size	Gland nut – graphite build (Nm)	Gland nut – PTFE build (Nm)	Stem assembly (Nm)	Insert (Nm)
DN 15	5 – 7	6 – 9	3 – 5	65 – 75
DN 20	5 – 7	6 – 9	3 – 5	65 – 75
DN 25	6 – 10	8 – 12	4 – 6	70 – 80
DN 32	6 – 10	8 – 12	4 – 6	70 – 80
DN 40	8 – 12	13 – 18	6 – 8	80 – 90
DN 50	8 – 12	13 – 18	6 – 8	90 – 100
DN 80	30 – 37	80 – 90	18 – 22	700 – 740
DN 100	30 – 37	80 – 90	18 – 22	900 – 1065
DN 150	50 – 55	90 – 110	23 – 28	1500 – 1700
DN 200	50 – 55	90 – 110	23 – 28	1800 – 2000

## 11 Valve Exploded View Diagram

### 11.1 DN15 – DN50 Valves



### 11.2 DN80 – DN200 Valves







**zFlowserve factory contacts:**

Flowserve Flow Control  
A Division of Flowserve GB Ltd.  
Burrell Road  
Haywards Heath  
RH16 4HR  
United Kingdom

Telephone: +44 (0)1444 314400

**FLOWSERVE REGIONAL SALES OFFICES:**

**Local Flowserve representative:**

To find your local Flowserve representative use the Sales Support Locator System found at [www.flowserve.com](http://www.flowserve.com)

Flowserve Corporation has established industry leadership in the design and manufacture of its products. When properly selected, this Flowserve product is designed to perform its intended function safely during its useful life. However, the purchaser or user of Flowserve products should be aware that Flowserve product might be used in numerous application under a wide variety of industrial service conditions. Although Flowserve can (and often does) provide general guidelines, it cannot provide specific data and warnings for all possible applications. The purchaser/user should read and understand the User Instructions: Installation Operation Maintenance included with the product, and train its employees and contractors in the safe use of Flowserve products in connection with its application

While the information and specifications contained in this literature are believed to be accurate, they are supplied for informative purpose only and should not be considered certified or as a guaranteed of satisfactory results by reliance thereon. Nothing contained herein is to be construed as a warranty or guarantee, express or implied, regarding any matter with respect to the product. Because Flowserve is continually improving and upgrading its product design, the specifications, dimensions and information contained herein are subject to change without notice. Should any question arise concerning these provisions, the purchaser/user should contact Flowserve Corporation at any one of its worldwide operations or offices.

© 2017 Flowserve Corporation, Irving, Texas, USA. Flowserve is a registered trademark of Flowserve Corporation