

BOTTOM OUTLET BALL VALVE

# TYPE **ecoline**



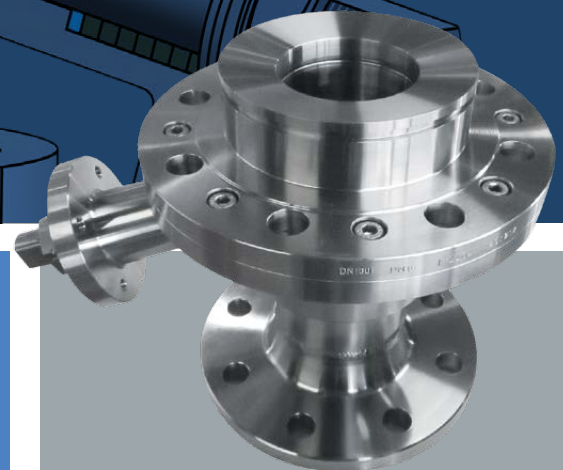
Armaturenbau und -Technik GmbH

## Cavity minimized / low sump area

Applicable in following industries:

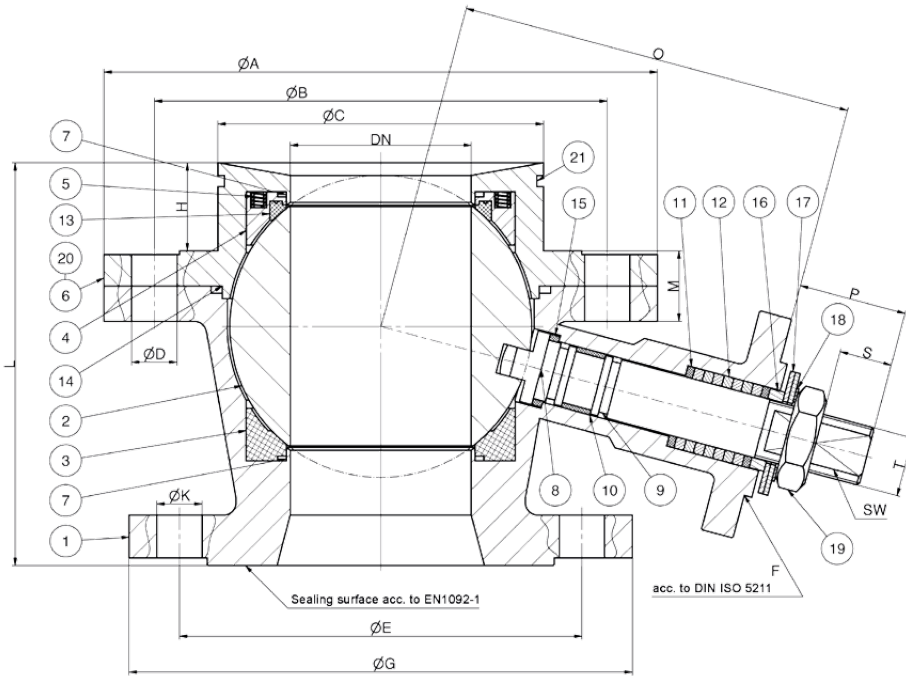
- ▶ Food
- ▶ Pharma
- ▶ Chemical
- ▶ Cosmetic
- ▶ DN 50/25 – DN 300/200
- ▶ PN 10/16
- ▶ Temperature -20°C up to +200°C

- ∅ Cavity minimized
- ∅ Product contacted surface  $Ra < 0,8$
- ∅ In house production out of bar stock or forged material
- ∅ Full bore
- ∅ Fast track delivery
- ∅ Connecting dimensions  
acc. to DIN 28140 / PN 10 and DIN 28117 / PN 16
- ∅ FDA
- ∅ TA-Luft acc. to VDI 2440
- ∅ Material certificates acc. to DIN EN 10204-3.1
- ∅ Tightness test acc. to DIN EN 12266-1 Leak rate A



TÜVRheinland®  
**CERT**  
ISO 9001

**made  
in  
Germany**



**Possible customization:**

- Metallic sealing system
- PEEK sealing system
- Exotic material: titanium, nickel based alloy (Hastelloy, Incoloy, Inconel, Monel, Alloy etc.) (super) Duplex and further corrosion resistant alloys
- Higher pressure and higher temperatures on request.

**Part list**

Pos.	Name	Material	Notice
1	body	1.4404	
2	ball	1.4404	X
3	seal seat	PTFE/GF/FDA	X
4	pressure ring	1.4404	
5	coil springs	1.4571	
6	flange	1.4404	
7	o-ring	Viton/FDA	X
8	stem	1.4462	
9	o-ring	Viton/FDA	X
10	bearing	PTFE/FDA	X
11	sealing ring	PTFE/FDA	X

Pos.	Name	Material	Notice
12	TA-Luft packing	PTFE	X
13	seal seat	PTFE/GF/FDA	X
14	o-ring	Viton/FDA	X
15	sealing ring	PTFE/FDA	X
16	packing bushing	1.4404	X
17	belleville springs	1.4568	
18	locking plate	1.4301	
19	nut	A2-70	
20	cyl. screw	A2-70	
21	o-ring	Viton/FDA	X
-	-	-	

x = spare parts

**ATEC connecting dimensions for pad flange DIN 28140 / PN 10**

DN	ØA	ØB	ØC	D	ØE	ØG	H	K	L	M	O	P	S	T	SW	F
50/25	165	125	70	4 x Ø18	85	115	35	4 x Ø14	120	18	100	35	16	M18x1,5	11	5
80/50	200	160	95	8 x Ø18	125	165	35	4 x Ø18	150	28	138	39	19	M20x1,5	14	7
100/50	220	180	130	8 x Ø18	125	165	35	4 x Ø18	150	28	138	39	19	M20x1,5	14	7
100/80	220	180	130	8 x Ø18	160	200	35	8 x Ø18	160	28	157	43	21	M24x1,5	17	7
150/100	285	240	180	8 x Ø22	180	220	40	8 x Ø18	170	36	167	43	21	M24x1,5	17	10
200/150	340	295	235	8 x Ø22	240	285	40	8 x Ø22	275	44	229	56	26	M36x1,5	24	14
300/200	445	400	330	12 x Ø22	295	340	50	8 x Ø22	368	52	264	56	26	M36x1,5	24	14

**ATEC connecting dimensions for pad flange DIN 28117 / PN 16**

DN	ØA	ØB	ØC	D	ØE	ØG	H	K	L	M	O	P	S	T	SW	F
50/25	165	125	50	4 x Ø18	85	115	30	4 x Ø14	120	23	100	35	16	M18x1,5	11	5
80/50	200	160	80	8 x Ø18	125	165	30	4 x Ø18	155	38	138	39	19	M20x1,5	14	7
100/50	220	180	100	8 x Ø18	125	165	30	4 x Ø18	150	33	138	39	19	M20x1,5	14	7
150/80	285	240	150	8 x Ø22	160	200	36	8 x Ø18	160	27	157	43	21	M24x1,5	17	7
150/100	285	240	150	8 x Ø22	180	220	36	8 x Ø18	170	40	167	43	21	M24x1,5	17	10
200/150	340	295	200	12 x Ø22	240	285	36	8 x Ø22	273	46	229	56	26	M36x1,5	24	14