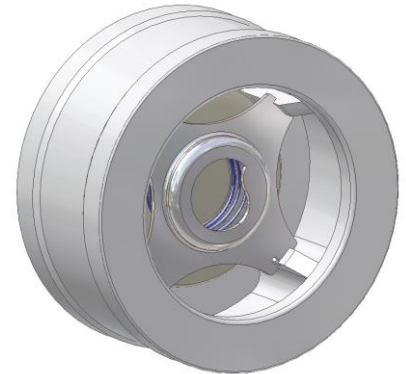




Non Return Valve Type DSF DN015 - 100



Designation	Material
Body	see table
Valve plate	see table
Spring cap	see pricelist
Spring	see pricelist
Soft sealing	see table

Technical specifications

Placement between flange according to DIN EN 1092-1, PN10-160 and ANSI B16.5 CL. 150-900lbs

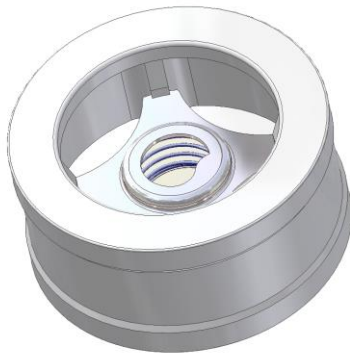
Nominal pressure depending on model

Overall lengths according to DIN EN 558, basic range 52 (K5)

Tightness according to DIN EN 12266-1, Leakage Rate D (Sealing M, T) and Leakage Rate A (Sealing E, P, V)

Operational limits according to DIN EN 1092-1

Identification according to DIN EN 19



Utilisation

For liquids, gases and steams in all process technology.

Constructional Features

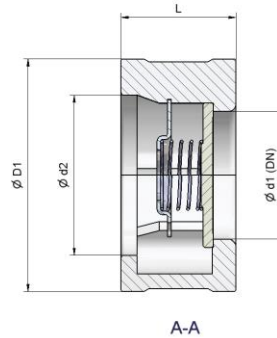
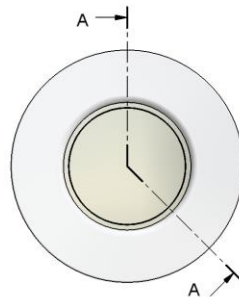
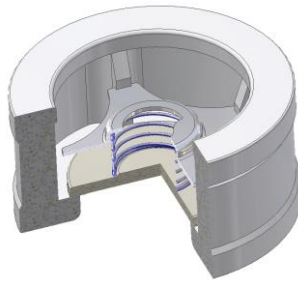
Centring through body-outside-diameter
On both sides large flange connection faces
Guiding of valve plate by body ribs

Special Types

Hastelloy C4 springs (up to 300°C) and Nimonic (up to 400°C).
Special springs for different opening pressures

Designation: DSF- 64 64 - M - 100
DSF- □□ - □□ - □ - □□□ → DN015 - 100

Body			Valve plate			Soft sealing		
Material	Nr.	Code	Material	Nr.	Code	Material	Temperatur*	Code
Austenit	1.4404	64	Austenit	1.4404	64	Metal-seated	-200 bis 500°C	M
Austenit Mo-free	1.4301	65	Austenit Mo-free	1.4301	65	EPDM	-50 bis 130°C	E
Uranus	1.4539	68	Uranus	1.4539	68	NBR	-30 bis 120°C	P
Titanium	3.7035	90	Titanium	3.7035	90	VITON	-20 bis 200°C	V
Hastelloy B	2.4600	94	Hastelloy B	2.4600	94	PTFE	-200 bis 200°C	T
Hastelloy C	2.4819	95	Hastelloy C	2.4819	95			
							*Depending on pressure and medium	



DN (mm)	015	020	025	032	040	050	065	080	100
DN (zoll)	1/2"	3/4"	1"	1 1/4"	1 1/2"	2"	2 1/2"	3"	4"
L	25	31.5	35.5	40	45	56	63	71	80
Ø D1,PN10/16	51	61	71	82	92	107	127	142	162
Ø D1,PN25/40	51	61	71	82	92	107	127	142	170
Ø D1,PN63	61	72	82	88	103	113	138	148	170
Ø D1,PN160	61	72	82	88	103	119	144	154	180
Ø D1,ANSI150	44	53	63	73	82	101	120	133	170
Ø D1,ANSI300	50	63	69	79	92	107	127	142	177
Ø D1,ANSI400	50	63	69	79	92	107	127	142	170
Ø D1,ANSI600	50	63	69	79	92	107	127	142	190
Weight (PN10)	0.1	0.35	0.55	0.75	1.1	2	3	4.5	5.5

Opening pressures (mbar)

DN (mm)	015	020	025	032	040	050	065	080	100
DN (zoll)	1/2"	3/4"	1"	1 1/4"	1 1/2"	2"	2 1/2"	3"	4"
p _o ↑	24	23	23	23	24	24	25	27	27
p _o →	20	20	20	20	20	20	20	20	20
p _o ↓	16	17	17	17	16	16	15	13	13

Opening pressures without spring (mbar)

p _o ↑	4	3	3	3	4	4	5	7	7
------------------	---	---	---	---	---	---	---	---	---

Pressure drop diagramm

Pressure drop diagram for water at 20°C with opened valve and horizontal flow.
For calculating the pressure drop of the medium the equivalent water flow volume has to be calculated..

$$\dot{V}_w = \dot{V} \sqrt{\frac{\rho}{1000}}$$

- \dot{V}_w = Equivalent water flow volume in m³/h
- ρ = Density of the medium (in use) kg/m³
- \dot{V} = Flow volume of the medium (in use) in m³/h

